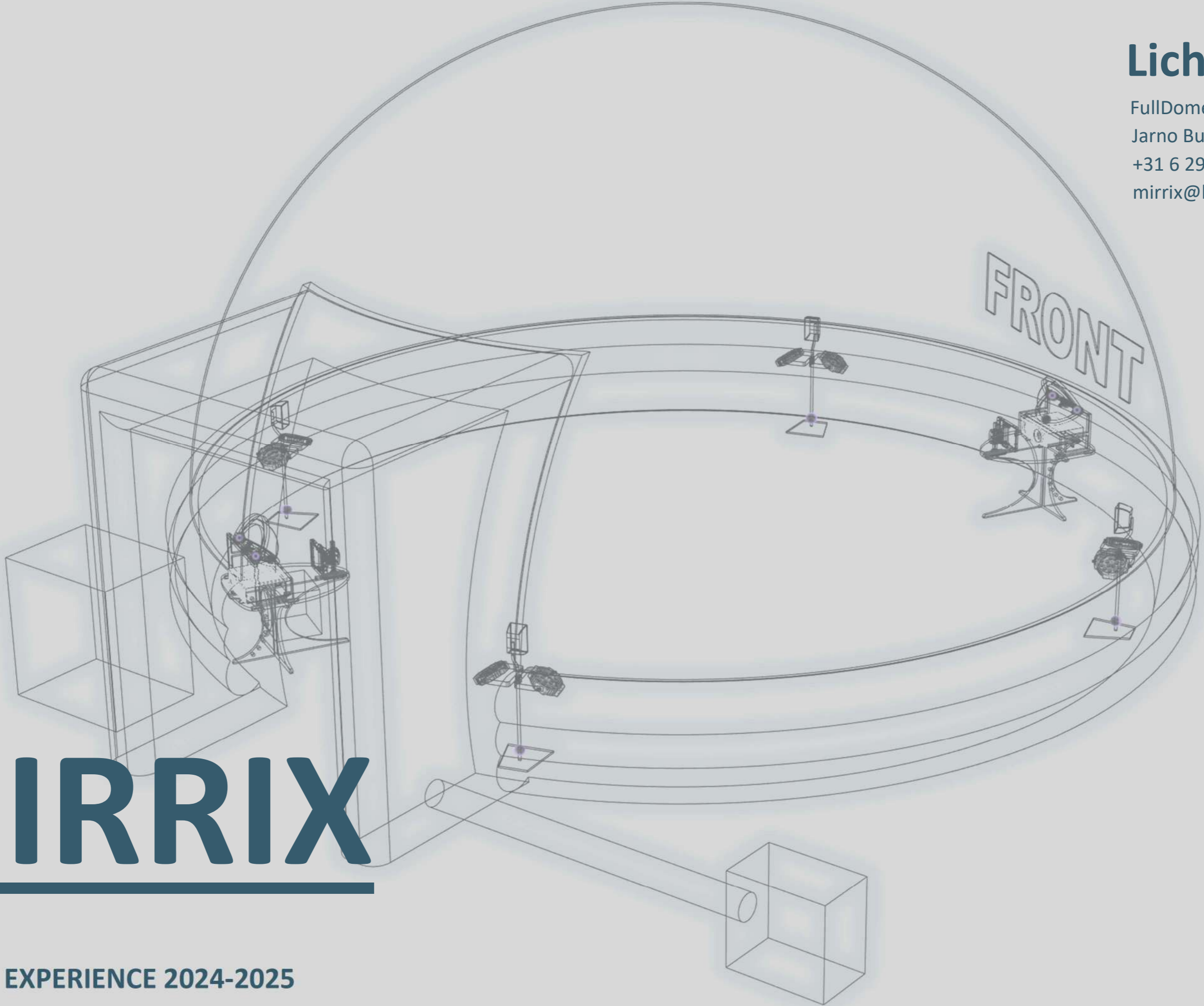


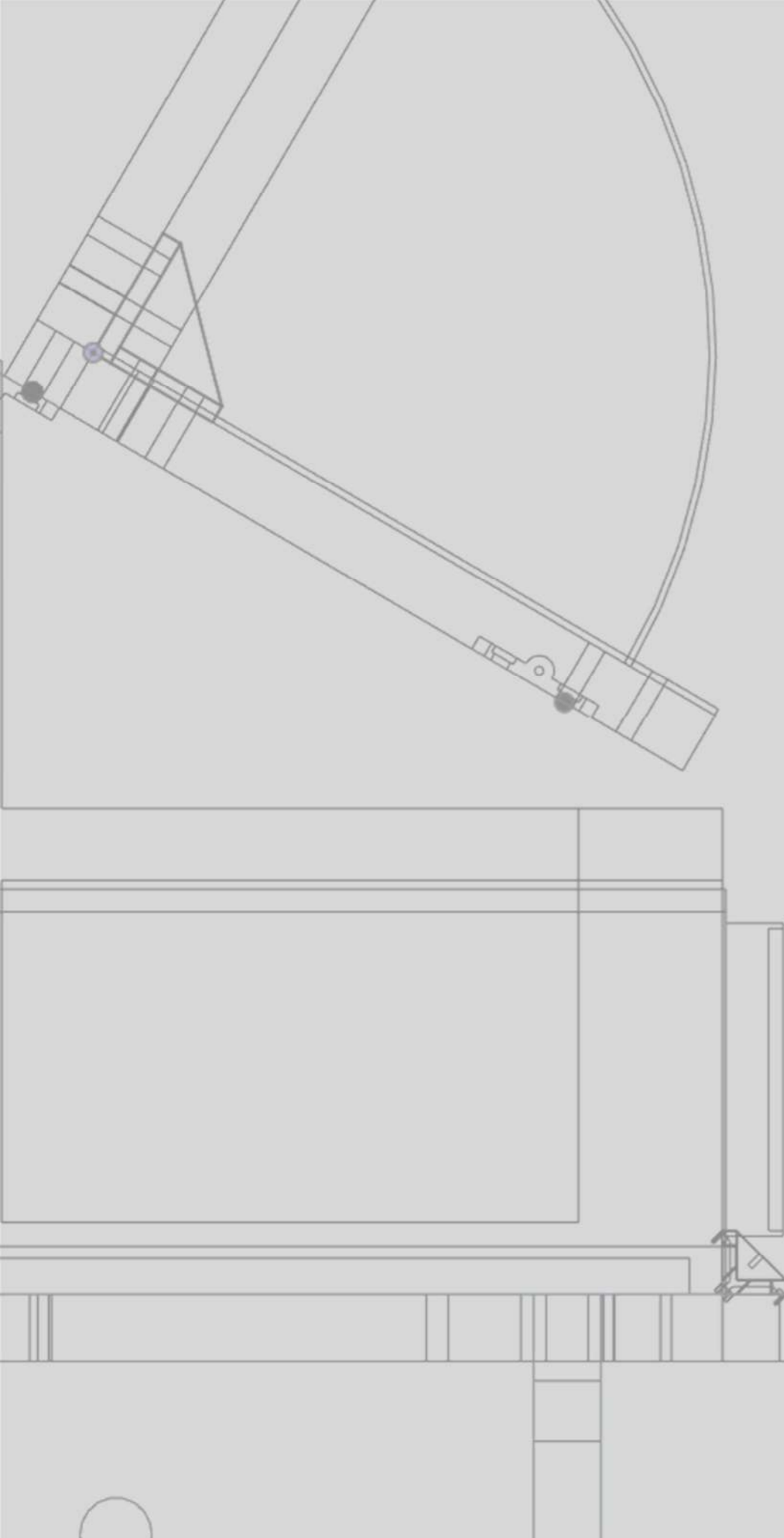
Lichtjes

FullDome Experiences
Jarno Burger
+31 6 2976 2485
mirrix@lichtjes.nl



MIRRIX

FULLDOME EXPERIENCE 2024-2025



MAIN ORGANISER

Jarno Burger
mirrix@lichtjes.nl
+31 6 29762485

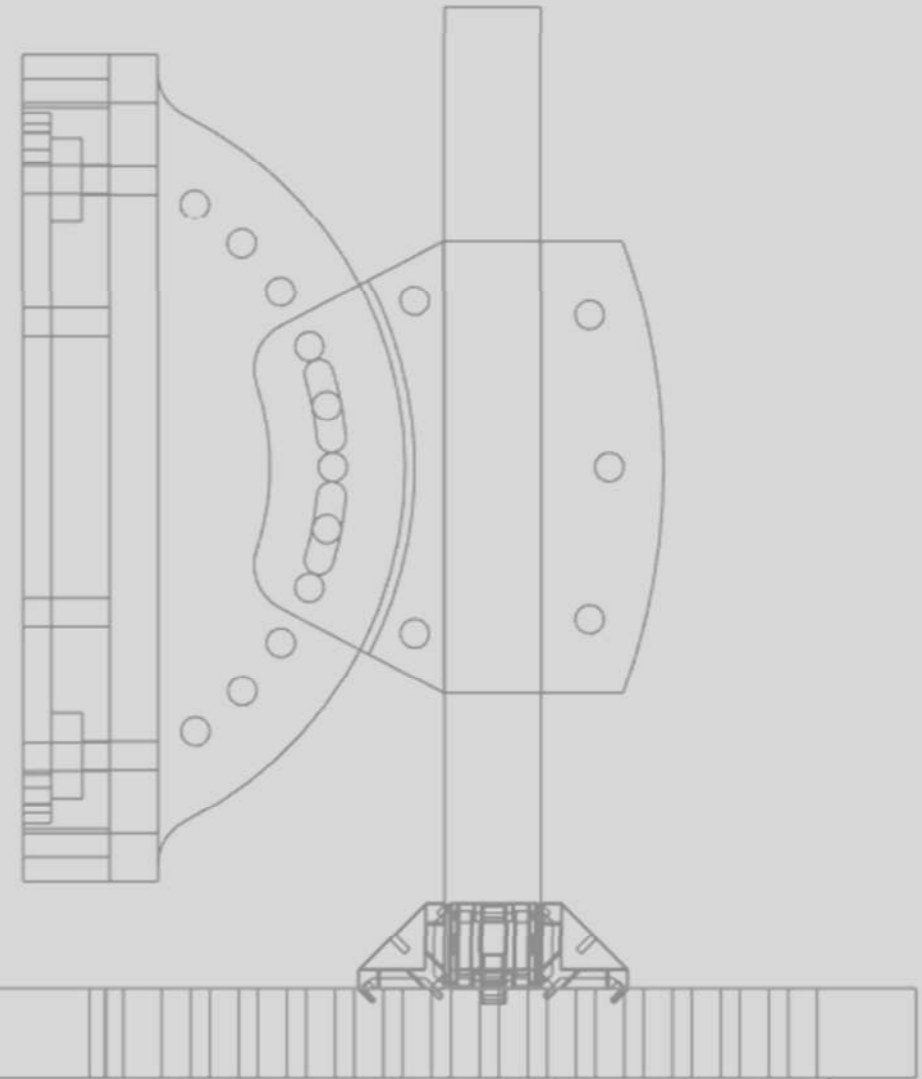
WEBSITES

www.lichtjes.nl
www.instagram.com/jarnoburger

ADRESSES

Home :
Abraham Ampstraat 2A
2515KV
Den Haag

Studio :
Polluxstraat 10
2516 AX
Den Haag



WE BRING...

Audio Video Light

- 2x Mirror System (L 40, W 40, H 40, 50 KG)
- 2x Beamer 4K , 4000 Ansi (L 40, W 40, H 40, 50 KG)
- 1x 8x LED-PAR + Control (L 40, W 40, H 40, 50 KG)
- 1x Audio System (L 40, W 40, H 40, 50 KG)

STRUCTURE

- 1x Deflated dome (L 40, W 40, H 40, 50 KG)
- 1x Tarp (L 40, W 40, H 40, 50 KG)
- 1x Air blower (L 40, W 40, H 40, 50 KG)
- 1x Cable Loom (L 40, W 40, H 40, 50 KG)

EXTRAS

- 2 Boxes of cabling | (L 40, W 40, H 40, 50 KG)
- 2 Laptop

Transport will happen with a small cargo car.

We will take a trolley with, please help with bringing the dome towards the location.

PLEASE PROVIDE

- Riser/Table 100 x 100 x 100, with black drape
- 2x Electrical sockets 16A 220V
- 1 clean, for the console and loom (beamers + light + audio)
- 1 dirty, for the air fan
- Some weights to weigh down the dome in case of wind or air draft
- An empty room with a minimum of L 680, W 680, H 380
- Cat6 Internet Cable, when streaming movies from the internet
- Lighting to light the outer area of the dome
- Secure place to put the expensive stuff, after a show day

There will be one loom going from the console towards the inside, and then clockwise around the dome. Any extras that you want inside the dome, should consider that the dome has a default loom.

WE ARE OPEN TO SUBSTITUTIONS, PLEASE CONTACT US.

WIREFRAME ISO VIEW

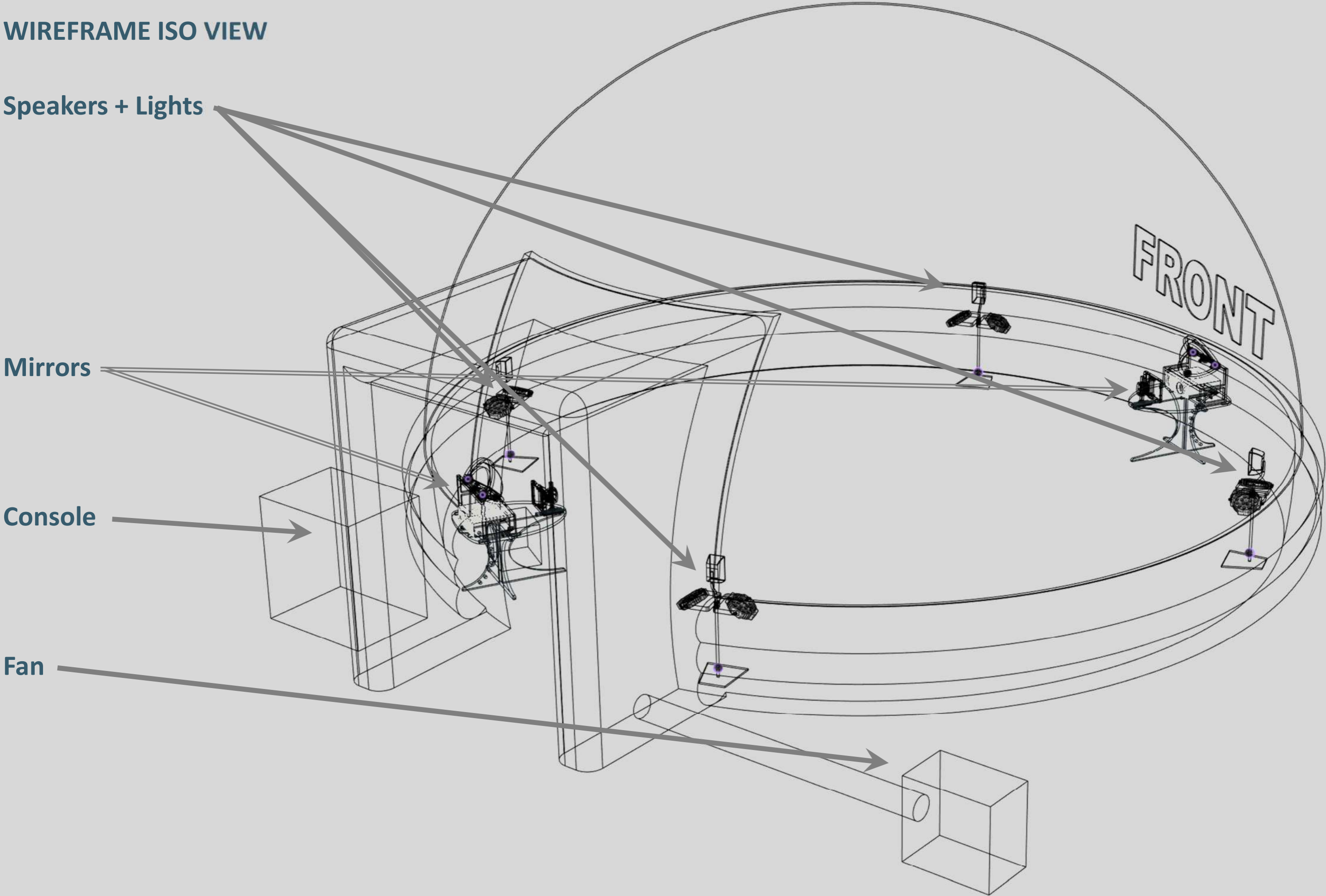
Speakers + Lights

Mirrors

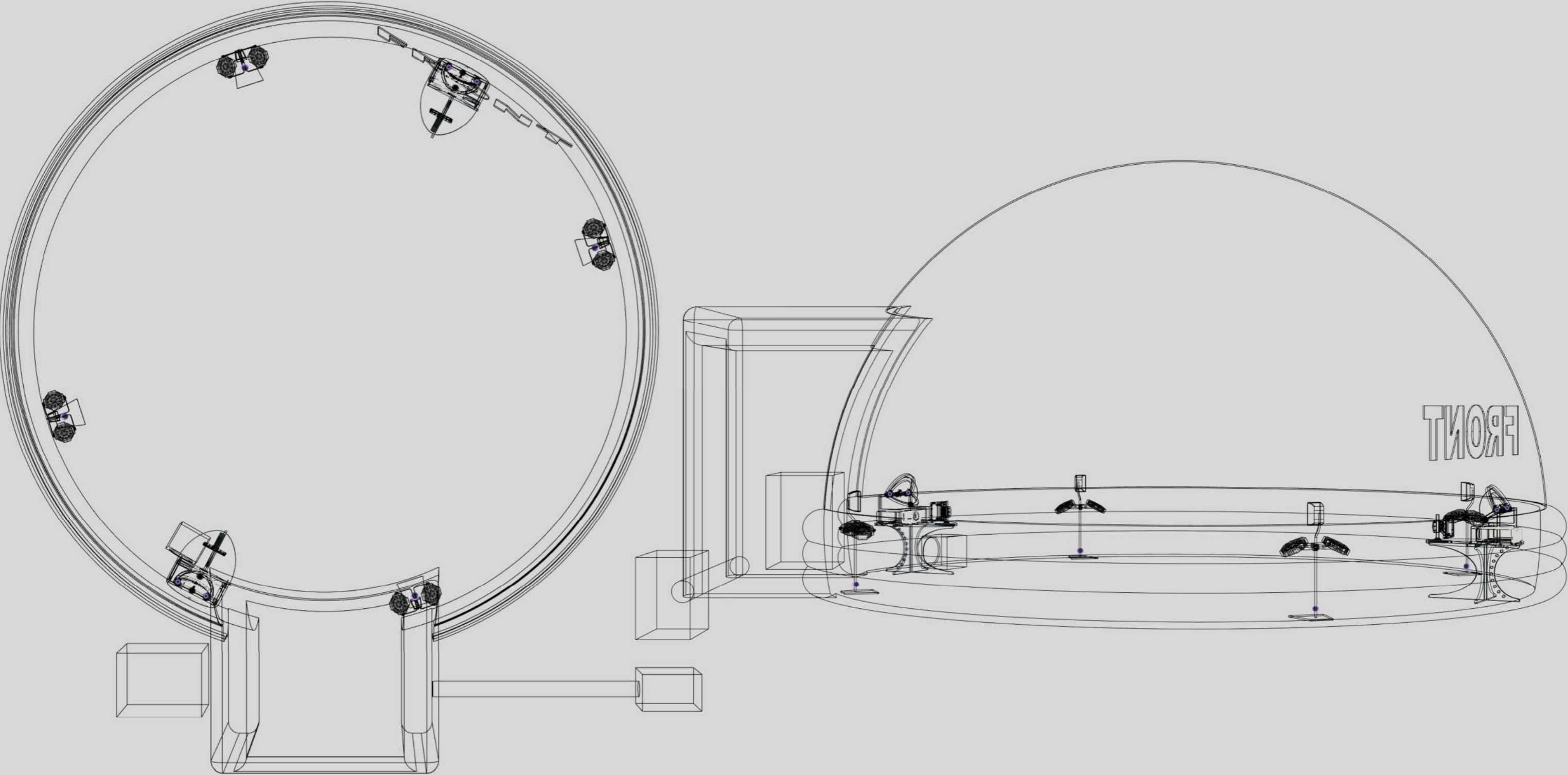
Console

Fan

FRONT



WIREFRAME TOP AND SIDE VIEW



FULLDOME EXPERIENCE 2024-2025

Audio, Video and Light

Audio:

Sound system: Logitech Z905 in quad channel modus. Woofer underneath one mirror system.

Soundcard: UMC404HD in quad channel modus.

The sound will wrap around the sphere, to boost the sound, get a big woofer.

The speaker height is set to a height for a person sitting in the dome.

Video:

Beamer (2x): Optoma 4k400x , 3840x2160 , 4000 ansi

Custom mirror system (2x)

Laptop that will do the warping , (see content specs)

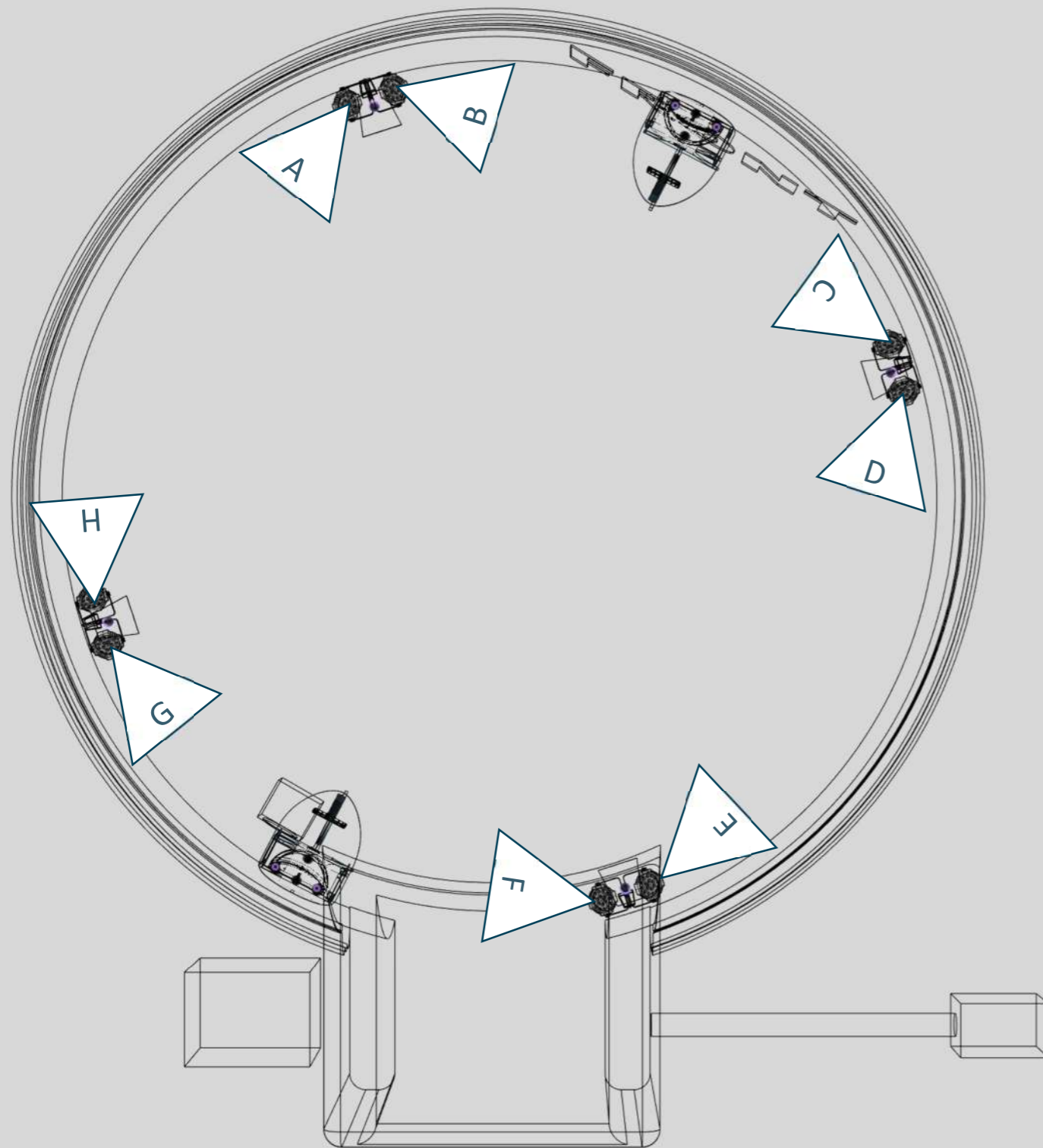
Light:

RGB 36 LED spot , 72W, (8x) , connected next to the speakers.

Two options to control:

- Mini pre-configured lighting console, to control the light manually.
- Showtec NET-2/5 Pocket ArtNet node, to control the light trough artnet.

Light patch



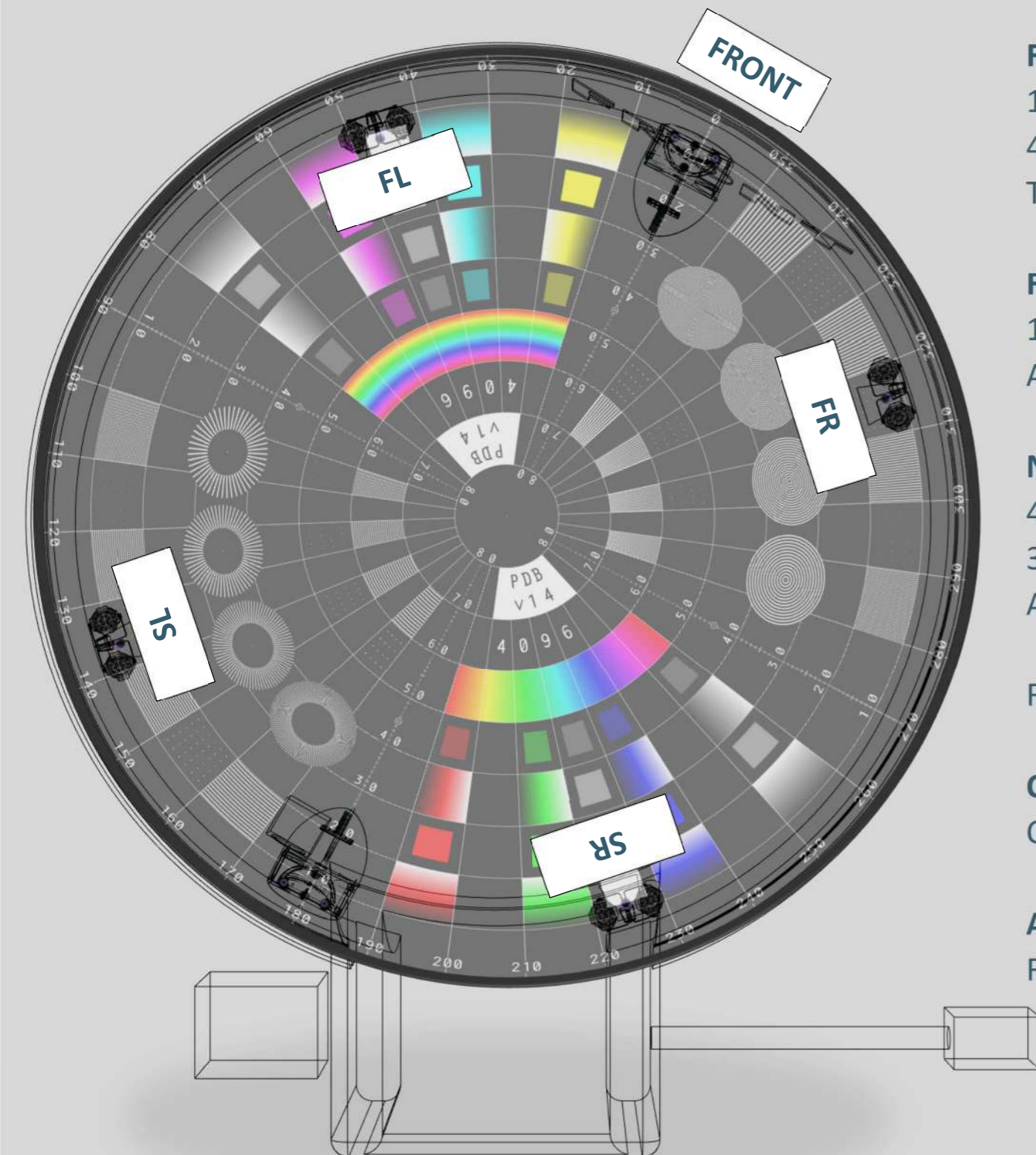
The led lights have 8 channels.

- channel 1 : Brightness
- channel 2 : Red
- channel 3 : Green
- channel 4 : Blue
- channel 5 : 0-7 strobe , 8 higher strobe
- channel 6 : must send 0
- channel 7 : must send 0
- channel 8 : must send 0

DMX Address:

- 1 – 8 Led A
- 9 – 16 Led B
- 17 – 24 Led C
- 25 – 32 Led D
- 33 – 40 Led E
- 41 – 48 Led F
- 49 – 56 Led G
- 57 – 64 Led H

Video Mapping



Full dome movies:

1024x1024 or 2048x2048 or 4096x4096 pixels

4 Channel audio, MP4 format

The content will be played by our video-warping tool

Full dome HDMI Capture:

1920x1080, 50p or 3840x2160, 30p

Audio is done by the playout device

NDI Capture:

4096x4096, 50p or 2048x2048 50p or 1024x1024 50p

3840x2160, 50p or 1920x1080 50p

Audio is done by the playout device

For all 16:9 content, the content must be full circle in the center of the screen.

CUBIC Capture:

Coming soon

Audio Channels naming convention:

Front Left (FL), Front Right (FR), SurroundLeft (SL), SurroundRight (SR)

Crowd

Types of seating:

43 Adults sitting in lotus (preferred 30)

14 Adults laying flat on yoga mats

60 Children sitting in lotus (preferred 30)

NO:

Foods, drinks, smoking

Shoes?

Sabotage equipment, aggression

No more people than predefined capacity

Radiant heater

Sex

Mud

Open fire

YES:

Contained oil heater

Incense

Blankets, pillows, yoga mats

Bare feet

Kissing

Doorman:

Also called, the host.

The host makes sure that this policy is followed.

Understands social hygiene, and how to fire escape people.

Please contact us, to work out a schedule.

Hospitality

Food

Will be hosted by the client.

Two persons, vegetarian, lactose allergy.

Worktime

No work without breakfast.

Breakfast between 07:00 – 10:00 minimum 0,5 hour

Lunch between 11:30 – 14:00 minimum 0,5 hour

Dinner between 17:30 – 21:00 minimum 1,5 hour

Night snack between 23:00 – 01:00 minimum 0,5 hour

A full workday is max 8 hours.

Teaching how to host the dome, takes 20 minutes.

On arrival day, if our travel takes more than 2 hours:

For every 1-hour extra travel, we need rest for 0,5 hour.

Healthy brains need sleep

The sleep location should be reachable in 45 minutes.

The room should be secure enough.

The room should be 2-person bedroom.

The room should give a decent night of sleep.

Gifts / presents

We all love gifts, mostly mountain crystals.

Super-hosts

We love forests / yoga / meditation / mountains / local candy.

Please share some options near the location.

Please contact through email, if we need to find other option